



**CLIENT BAG SPECIFICATION SHEET**

ISSUE NUMBER : 2  
ISSUE DATE : 30/05/2016

**CLIENT NAME : BUILDERS BAG 110CM OPEN TOP**

**BAG DESCRIPTION : CORNER LIFT OPENTOP CLOSED BASE 110x90x90 CM 1500 KG UNCOATED BUILDERS BAG WHITE**

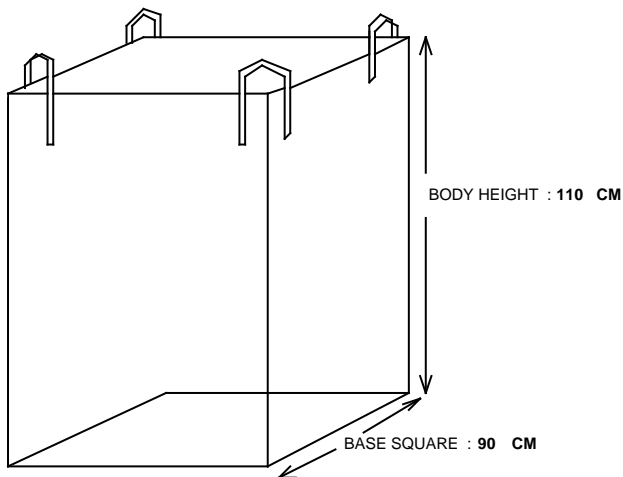
**PRODUCT CODE : IBIM2210**

ALL OUR FIBCS ARE MANUFACTURED TO AS3668

PAGE NUMBER : 833

BAG TOP : OPEN

STRAP HEIGHT : 28 CM  
ABOVE THE BAG TOP



BAG BASE : CLOSED

BODY FABRIC : CIRCULAR 180GSM UNCOATED WHITE 180CM

B-LOCK : NONE

LINER NONE

PRINTING : NONE

COLOUR & SIDES : NONE

POCKET : NONE

HANDELING LABEL: 1

OTHER LABELS : 0

BAG SWL : 1500 SAFETY FACTOR : 5:1

BAG CLASSIFICATION : NON-DANGEROUS GOODS

CUSTOMER SPECIFICATION : 110CM BUILDERS BAG

CUSTOMER STOCK No : 110X90X90

BAGS PER PALLET : 275

SIGNED BY IBC MANAGER

DATE: 11/07/2016

SIGNED BY CLIENT

DATE:

THIS IS A CONTROLLED AND CONFIDENTIAL DOCUMENT